

Top Equipment

OPERATORS MANUAL

TYPE NUMBERS

H2H-BATT / H2H-230V / H2H-110V





IMPORTANT
READ CAREFULLY BEFORE USE
KEEP FOR FUTURE REFERENCE

Preface

Thank you for purchasing the Top Equipment B.V. H2H Euthanizer. This manual contains information necessary for the operator to become familiar with the H2H Euthanizer. We kindly ask you to carefully read this information before starting to use the H2H Euthanizer. Please make yourself familiar with the potential dangers and risks of the Euthanizer (see 2 Safety Precautions). The owner must ensure that the operator has read and understood the contents of this manual before commencing operation and that he follows the instructions carefully.

This document is product-specific and therefore only applies to the products as specified in 1.1 Product Identification. In this manual, the H2H Euthanizer will be referred to as "the Euthanizer".

This manual is intended for operators of the Euthanizer as defined in 1.2 Qualification of personnel.

Be sure to take extra attention to those parts of the text that relate to the specific version of the H2H Euthanizer you have purchased: the battery-powered version, the 230 Volt version or the 110 Volt version.

Please refer to the table of contents at the start of this manual to locate information relevant to you. Keep this manual in an accessible place near the Euthanizer.

The distributors of Top Equipment BV are ready to assist you with servicing or maintenance in case of malfunction.

This is the original manual. For more information, or to order manuals, please contact:

Top Equipment B.V.
Groenestraat 34 B
4033 CR Lienden
The Netherlands

Tel.nr.: +31 (0) 6 44 01 29 78

Website: www.top-equipment.nl / www.h2heuthanizer.com

Email: info@top-equipment.nl



Version 2.0 – 042021

© Top Equipment - The Netherlands

All pictures shown in this manual are for illustrative purposes only.
Actual product may vary due to product enhancement.

Table of contents

1	Introduction to this manual	3
1.1	Product Identification	3
1.2	Qualification of personnel	3
1.3	Intended use and reasonably foreseeable misuse	3
1.4	Operating Conditions	4
1.5	Symbols used in this manual	4
1.6	Disclaimer	4
2	Safety Precautions	4
2.1	General	4
3	Product description	5
3.1	Main parts	5
3.2	Operator display	5
3.3	Cones	5
3.4	Safety features	5
3.5	Power supply accessories	5
3.6	Working principle	6
3.7	Safety symbols/indicators on the Euthanizer	6
3.8	Technical specifications	6
4	Installation of the Euthanizer	6
5	Operating the Euthanizer	6
5.1	Normal operation	6
5.1.1	Before use	6
5.1.2	Operating the Euthanizer	7
5.1.3	Stopping the Euthanizer	7
5.2	Storage of the Euthanizer	8
5.3	Display messages description	8
6	Cleaning, inspecting and maintenance of the Euthanizer	8
6.1	Cleaning	8
6.2	Inspection	8
6.2.1	Daily	8
6.2.2	Weekly	8
6.3	Maintenance	8
6.4	Discarding	8
7	Troubleshooting	9
8	Appendix 1 Declaration of Conformity	10

1 Introduction to this manual

1.1 Product Identification

The Euthanizer is identified by the information on the type plate (see image 1 and 2). The information on the type plate includes:

- Manufacturer's address details
- Product name
- Serial number
- Type number **H2H-BATT, H2H-230V or H2H-110V**
- Model

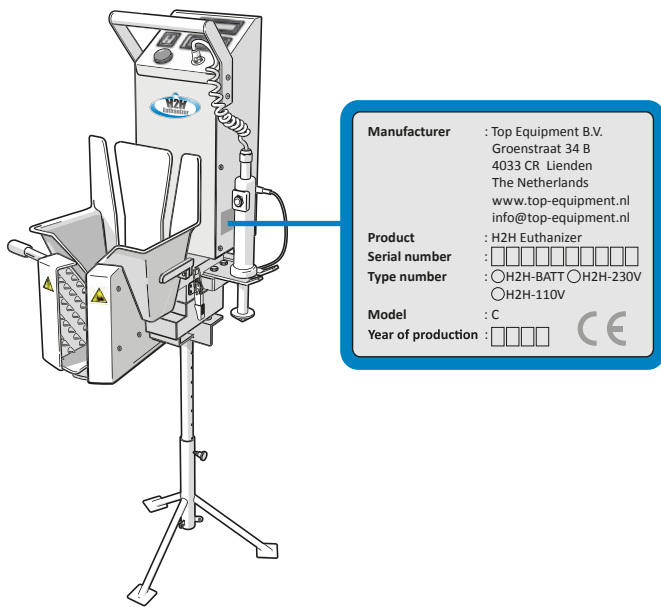


Image 1 – Location of the type plate

Table 1 - Product Identification

Manufacturer	Top Equipment B.V.
Product	H2H Euthanizer
Serial number	See type plate
Type number	See type plate H2H-BATT, H2H-230V or H2H-110V
Model	C = Chicken
Year of production	See type plate

Qualification of personnel

This manual makes a distinction between two different types of persons handling the Euthanizer. The table below gives an overview of these two types, their required qualifications and their authorized handling of the Euthanizer.

Person handling the Euthanizer	Qualifications	Authorized handling
Qualified professional of Top Equipment B.V. or its representative	Trained by Top Equipment B.V.	Transportation, installation, service, maintenance and dismantling
Operator	No qualifications or work experience necessary	Operation, inspection, cleaning and dry storage

Before handling the Euthanizer, all operators must:

- Have read and understood this manual.
- Have received permission to operate the Euthanizer.
- Omit any handling that could constitute a risk to personal health and safety.
- Omit any handling that could constitute damage to the Euthanizer.

1.2 Intended use and reasonably foreseeable misuse

The Euthanizer is intended for euthanizing domesticated chickens with a weight between 0,5 and 7,5 kg. In this manual domesticated birds with a weight between 0,5 and 7,5 kg are referred to as 'poultry'. A single bird is referred to as 'bird'. The Euthanizer is not suitable for any other birds or animals.

Manufacturer : Top Equipment B.V.
Groenstraat 34 B
4033 CR Lienden
The Netherlands
www.top-equipment.nl
info@top-equipment.nl

Product : H2H Euthanizer

Serial number :

Type number : H2H-BATT H2H-230V
 H2H-110V

Model : C

Year of production :

CE

This document applies only to machines that match the identification in Table 1.

The Euthanizer may only be used in a light industrial environment and only handled by persons defined in 1.2 Qualification of personnel.

Safe operation of the Euthanizer is only guaranteed when it is used as intended and specified. Other forms of use can put persons, animals and the product itself at risk, as well as the surroundings. Use of the Euthanizer for any purpose other than is described in this manual absolves Top Equipment B.V. of all responsibility.





1.3 Operating Conditions

The Euthanizer may only be used within the following operating conditions:

- Temperature: between 5°C and 45°C
- Humidity: max. 70%

1.4 Symbols used in this manual

The symbols below will be used throughout this manual to focus the attention of the reader on important information.

	Danger! The signal word that indicates a hazard with a high level of risk which, if not avoided, will result in death or serious injury.
	Warning! The signal word that indicates a hazard with a medium level of risk which, if not avoided, could result in death or serious injury.
	Caution! The signal word that indicates a hazard with a low level of risk which, if not avoided, could result in minor or moderate injury.
	Notice The signal word that indicates information considered important, but not hazard-related (e.g. messages relating to property damage).

1.5 Disclaimer

The product owner is responsible for ensuring that only the latest revision of this document is used, as supplied by Top Equipment B.V. Furthermore, the product owner is to ensure that the user is aware and in possession of this document and is familiar with its contents.

2 Safety Precautions

This chapter informs the user of the Euthanizer about safety precautions. The precautions are divided in precautions related to personal safety, operational safety and cleaning and maintenance safety. It is important to read and take notice of these precautions.

2.1 General

- Always read the safety standards carefully and comply with them.
- Only trained and authorized persons are allowed to operate the H2H Euthanizer. (see www.h2heuthanizer.com basic training video)
- In case of questions regarding the safe operation of the H2H Euthanizer always contact the responsible person.
- The safety instructions must always be in possession of the operator of the H2H Euthanizer. (See safety measures on last page)
- The operators must always be familiar with the safety standards before using the H2H Euthanizer.
- Only use the H2H Euthanizer to euthanize poultry in compliance with the current standards. The H2H Euthanizer can never be used for any other activity in any form.
- When in doubt about the safe operation of the H2H Euthanizer, please immediately contact the manufacturer.
- The H2H Euthanizer cannot be used during cleaning or maintenance activities/work.
- Simultaneous and direct contact with metal parts of head electrodes and the cloaca electrode of the H2H Euthanizer is life-threateningly dangerous and strictly prohibited.
- Repairs and maintenance of the H2H Euthanizer must always be performed by the authorized persons.
- The working environment of the H2H Euthanizer must always be under barn conditions. (Dry environment)
- Every unsafe use, (almost) injuries or unconsciousness during the activities, no matter how minor, must immediately be reported to the responsible person and if necessary medical assistance must be called upon.
- Before turning on the H2H Euthanizer and/or connecting the 230V power cable, always check if the coverings of the H2H Euthanizer are correct.
- In case of any doubt regarding the safe use of the H2H Euthanizer, the machine must immediately be turned off and the 230V power cable (type number H2H-230V) must be disconnected.
- It is not allowed to change parts of the H2H Euthanizer without an official consent in writing from the manufacturer.
- It is strictly prohibited to maintain, replace or discard the metal parts of the head electrodes and the cloaca electrode of the H2H Euthanizer without an official consent in writing from the manufacturer.
- Only trained and authorized persons may be in charge of the maintenance of the Euthanizer.
- It is strictly prohibited to cause sparks or flames in the proximity of the H2H Euthanizer.
- All changes and maintenance must be conducted in compliance with the applicable international and national laws and regulations.
- It is only allowed to use original or certified reserve parts.
- The operator must always wear official certified personal protective equipment. (Gloves, glasses, protective clothing)

3 Product description

3.1 Main parts

- A Operator display
- B Cloaca electrode
- C Main switch (type number H2H-230V, H2H-110V & H2H-BATT)
- D Cone
- E Head electrodes
- F Lever
- G Tripod (optional)

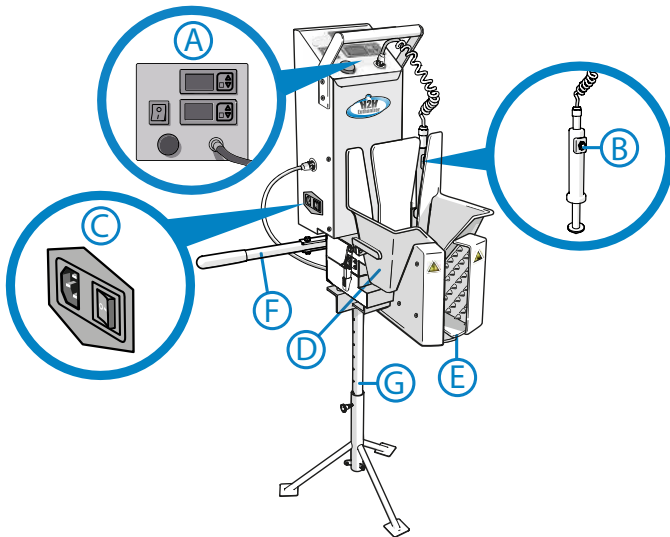


Image 3 – Main parts

3.2 Operator display

Image 4 and Table 2 give an overview of the operator display of the Euthanizer.

Table 2 - Overview of switch locations

Switches (functions)	
1	Display (mA)
2	Operation light
3	Main switch (on/off)
4	Battery indicator

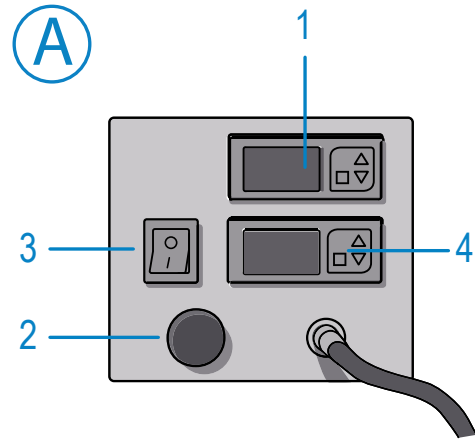


Image 4 – Operator display

3.3 Cones

The Euthanizer is delivered with two cones for holding the poultry:

- Small cone is for poultry from 250 grams till 3 kilo
- Large cone is for poultry from 2.5 kilo till 5.5 kilo
- Extra large cone is for poultry from 4 kilo till 7.5 kilo

The main component can hold one cone at a time. It is attached to the main component with two snap closures.

3.4 Safety features

The Euthanizer is equipped with the following safety features:

- Fixed casings that can only be opened using tools or keys.
- The electrical control cabinet, components and wiring are classified as degree of protection IP40 (dusttight – splash waterproof). The control cabinet is sealed. The warranty is no longer valid once the seal is broken.

3.5 Power supply accessories

There are several options for supplying power to the Euthanizer, depending on the type you have purchased: H2H-BATT, H2H-230V or H2H-110v. See table below for options and accessories. These accessories can be delivered with the Euthanizer type number H2H-BATT but could also be purchased locally. The H2H-BATT is only available in combination with the Poultry Hawk.

Make sure you only use the Euthanizer in a fixed position and in a dry environment. (Barn conditions, see page 4)

Accessory	Purpose	Part number	Specifications
Rechargeable battery *	Supply power to the Euthanizer	Battery	See label on the battery (see page 9)

* For type number H2H-BATT only





3.6 Working principle

The Euthanizer euthanizes a bird by means of electrocution. After a bird is placed in the cone, the operator places the cloaca electrode on its cloaca and closes the head electrodes around the birds head. By pushing the button on the cloaca electrode, electricity is sent through the bird for 3 seconds. The operation light illuminates and the display on top of the Euthanizer shows the electrical current (in mA). Depending on the birds individual resistance, the current lies between 150 mA and 900 mA. The bird is now euthanized and can be discarded.

3.7 Safety symbols/indicators on the Euthanizer

The following symbols are placed on the Euthanizer:

Note! The operator must ensure that this information is clearly readable on the Euthanizer at all times.

Safety symbol / Indicator	Explanation
	Electrical danger.
	Danger for pinching of limbs.

3.8 Technical specifications

Weight:	17,5 kg
Dimensions (LxWxH):	350 x 250 x 500 mm
Approximate floor space:	4 m ²
Capacity type nr H2H-BATT:	Approx. 200 poultry per battery cycle
Capability:	Poultry ranging from 0,5 kg to 7,5 kg
Power cable:	230 V & 110 V (type nr H2H-230V & H2H-110V)
Temperature:	Cleaning fluids between 1 - 65°
Electrical equipment:	IP40
Mechanical equipment:	Stainless steel or non corrosive materials

4 Installation of the Euthanizer

The initial commissioning of the Euthanizer may only be carried out by a qualified professional of Top Equipment B.V. or its representative, unless you have received explicit permission of Top Equipment B.V.

It is advised to use the Euthanizer with a tripod or (wall, column) mounting bracket (sold separately). Combining the Euthanizer with the tripod allows you to locate and relocate the Euthanizer around the poultry barn, according to where the Euthanizer is needed. It also allows you to store the Euthanizer when not in use.

5 Operating the Euthanizer

5.1 Normal operation

5.1.1 Before use

To prepare the Euthanizer for use:

1. Put power cable in wall socket (type number H2H-230V & H2H-110V)
2. Set main switch to ON.
3. Place the Euthanizer on a flat surface.
4. Place the Euthanizer on the tripod by sliding it over the two pins.
5. Attach one of the two cones to the Euthanizer and close the snap closures on both sides.
6. Inspect the Euthanizer (follow instructions in 6.2 Inspection).

5.1.2 Operating the Euthanizer

To operate the Euthanizer:

1. Set the main switch to 'ON'.
2. Place a bird in the cone by holding it face down and sliding its legs through the openings in the back plate of the cone (see image 6). Make sure the bird's breast is in the bottom of the cone. Make sure the bird's neck and head are outside the cone, between the head clamps.

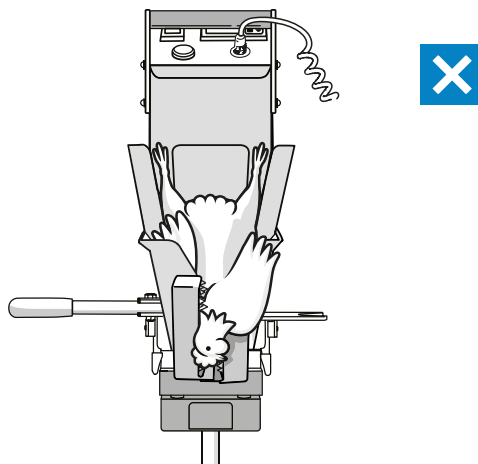
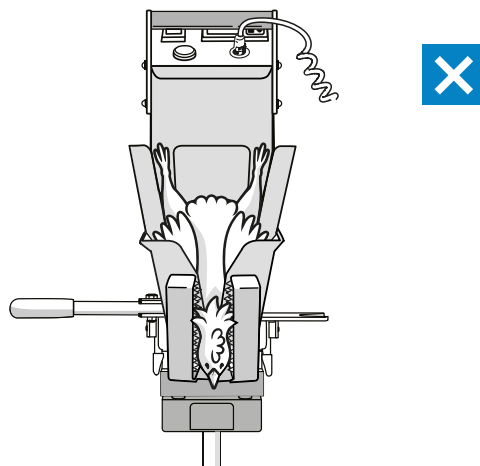
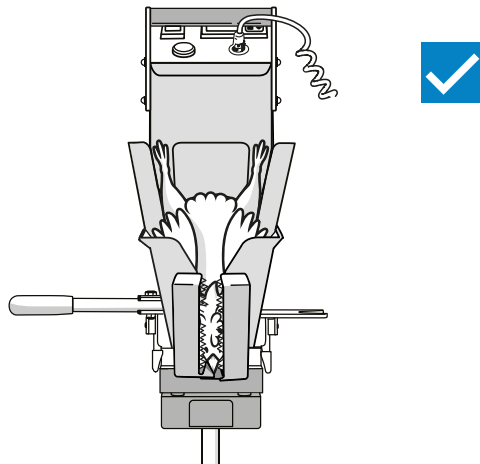


Image 6 – Correct and incorrect position of the bird

3. Take the cloaca electrode with one hand and place it on the bird's cloaca (see image 7). Take the lever with the other hand and pull it towards you so that the head clamps close around the bird's head.

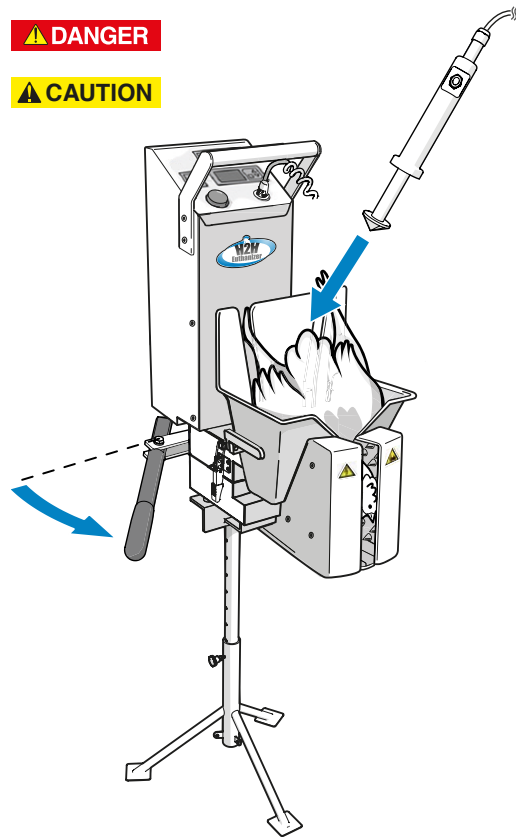


Image 7 – Place the cloaca electrode and pull the lever

4. Push the red button on the cloaca electrode.
The red light on top of the Euthanizer illuminates. The euthanizing process is now active and the electricity flows through the bird. The Euthanizer automatically shuts off after 3 seconds. 'The display on top of the Euthanizer shows the electrical current (minimum of 400 milli-ampere for effective Euthanisation) that is sent through the bird'.
5. Place the cloaca electrode back in its holder.
6. Move the lever away from you to open the head clamps.
7. Remove the bird from the cone and discard it.
8. To euthanize another bird, repeat steps 2 - 8.

5.1.3 Stopping the Euthanizer

To stop the Euthanizer, set the main switch to 'OFF' and unplug the power cable (type number H2H-230V & H2H-110V).

In case of emergencies, defects, cleaning and/or maintenance activities:

1. Shut off the Euthanizer and unplug the power cable (type number H2H-230V & H2H-110V).
2. Remove the bird that is still in the cone.
3. Hang up a notice to prevent operators from using the Euthanizer.

5.2 Storage of the Euthanizer

To store the Euthanizer:

1. Make sure the machine is set to 'OFF' (follow procedure in 5.1.3 Stopping the Euthanizer).
2. Store the Euthanizer in a place that meets conditions specified in Chapter 1.4 Operating Conditions.

5.3 Display messages description

Please read the supplied documentation.

6 Cleaning, inspecting and maintenance of the Euthanizer

6.1 Cleaning

Clean the Euthanizer daily. Always clean the parts that have been in contact with the poultry: the cones and electrodes.

To clean the Euthanizer:

1. Make sure the machine is set to 'OFF' (follow procedure in 5.1.3 Stopping the Euthanizer).
2. Clean the Euthanizer with a regular mild detergent or disinfectant. Do not use chlorine!
3. Let the Euthanizer dry before storing or operating.

6.2 Inspection

In the event inspection of the Euthanizer exposes anything out of order, contact Top Equipment B.V. or its representative for instructions on how to proceed.

6.2.1 Daily

Daily inspection involves:

- Check wiring for damage
- Check bolts for loosening
- Check open/close control of head clamps

6.2.2 Weekly

Weekly inspection involves:

- Check head clamps for loosening

6.3 Maintenance

Contact a qualified professional of Top Equipment B.V. or its representative for bi-annual servicing of the Euthanizer to keep the Euthanizer safe, reliable and in optimal condition.

The Euthanizer is designed and manufactured in the factory of Top Equipment B.V. This is a warranty for the quality of the product and the aftercare that comes with it. The distributors of Top Equipment B.V. are on stand-by and ready to assist you with servicing or maintenance in case of malfunction.

6.4 Discarding

Contact Top Equipment B.V. or its distributor when you want to discard (parts of) the Euthanizer. For contact details, see Preface.

7 Troubleshooting

Follow instructions below to prevent malfunction and to take best possible care of the poultry.

The table lists malfunctions, its probable causes and possible solutions. The last column identifies the authorized personnel that may carry out stated activities.

Malfunction	Probable cause	Possible solution	Handled by
1. Euthanizer does not power on	No power	Check the rechargeable battery (or the connection to the electrical grid) and/or power cable (H2H-230V)	Electrotechnical technician
2. Euthanizer does not operate	<ul style="list-style-type: none">• Cable break• Loose cable• Defect connector	<ul style="list-style-type: none">• Check cables and connections in the control cabinet and on the head electrodes• Fix cable• Fix connector	Electrotechnical technician
3. Birds are not euthanized	Check whether the head clamps close properly or need to be cleaned	Clean the head clamps and/or the cloaca electrode	Electrotechnical technician
4. The red light does not illuminate (on time)	Check bulb and fuse	Replace bulb or fuse	Electrotechnical technician
5. Euthanizer stops/switches off during operation.	Built-in electronic safety mechanism is applied/ Power cable is disconnected	Press the reset 230V or 110V AC circuit breaker button. Plug in power cable (H2H-230V or H2H-110V)	Operator

The H2H-BATT is only available in combination with the Poultry Hawk. The H2H-BATT does not need to be charged since it's connected to the Poultry Hawk.

8 Appendix 1 Declaration of Conformity

EU DECLARATION OF CONFORMITY (No. 2016/222-02)

This Declaration of Conformity is issued under the sole responsibility of the manufacturer

MANUFACTURER

Company name	Top Equipment B.V.
Full address	Groenestraat 34B
Postal code	4033 CR
Place	Lienden
Country	The Netherlands

IDENTIFICATION OF ELECTRICAL EQUIPMENT

(Commercial) name	H2H Euthanizer
Function/intended use	For Poultry
Type	H2H-BATT / H2H-230V
Model	C

The object of the Declaration described above is in conformity with all relevant provisions of

**Low Voltage Directive 2014/35/EU; EMC Directive 2014/30/EU;
RoHS Directive 2011/65/EU**

In conjunction with the following relevant harmonised standards or technical specifications

**EN 60335-1:2012; EN 61000-6-4:2007; EN 61000-6-2:2005; EN 55022:2011; 61000-3-2:2014;
EN 61000-3-3:2013; EN 61000-4-6:2014; EN 61000-4-3:2006; EN 61000-4-4:2012;
EN 61000-4-2:2009; EN 61000-4-5:2014; EN 61000-4-11:2004**





Top Equipment B.V.
Groenestraat 34B 4033 CR Lienden The Netherlands

www.top-equipment.nl